

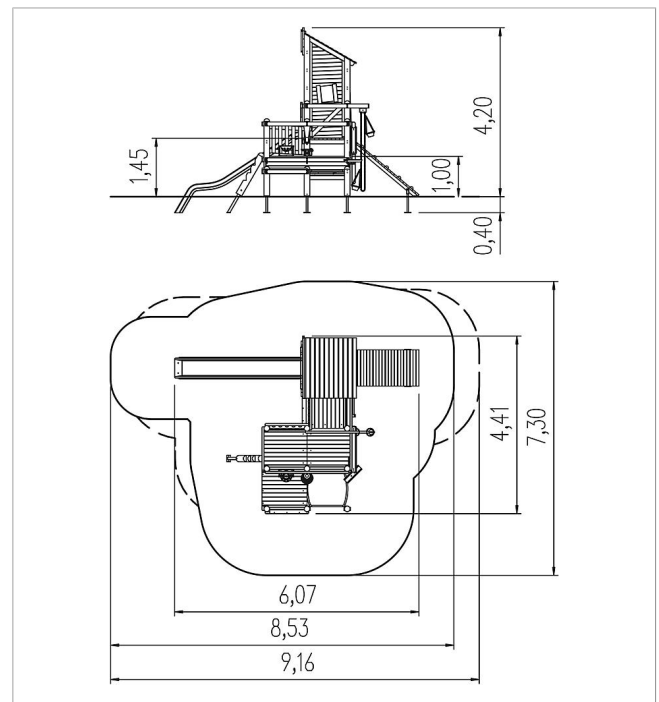
5 66 271 0110 0

**eibe ibondo Sand  
construction site  
Klondike**  
made in germany

4+

### Scope of delivery

1 slide PH 145: GFRP  
 1 slide entry plate: pressure impregnated pine  
 1 slanted roof with faceplate: pressure impregn. pine  
 1 wall element with window: pressure impregn. pine  
 1 shop board: pressure impregnated pine, HPL  
 2 parapets: pressure impregnated pine  
 1 stem ascent: pressure impregn. pine  
 1 mountain climbing ramp: pressure impregnated pine  
 1 sand lift: hot-dip galvanized steel, rubber  
 1 mud pool, square: stainless steel  
 1 sand sifter stainless steel  
 1 riddle sifter: stainless steel  
 1 sand silo: stainless steel  
 1 sand chute: pressure impregnated pine  
 1 sand seesaw: pressure impregnated pine  
 Wood construction: pressure impregnated pine  
 Post shoes: hot-dip galvanized steel



	Material	SW pi
	Foundation level	FL 1
	Minimum space	916x730x420 cm
	Free falling height	145 cm
	Impact protection net	46 m <sup>2</sup>
	Foundations	17x CF or 17x PFs