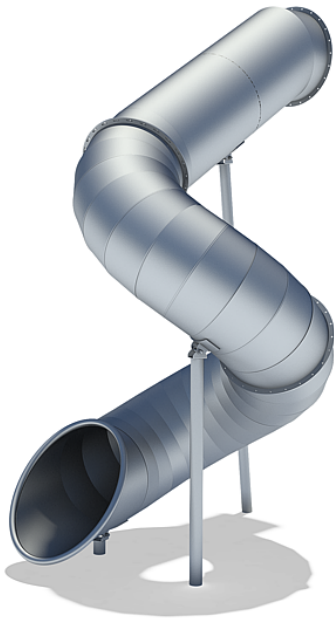


5 40 114 1210 0

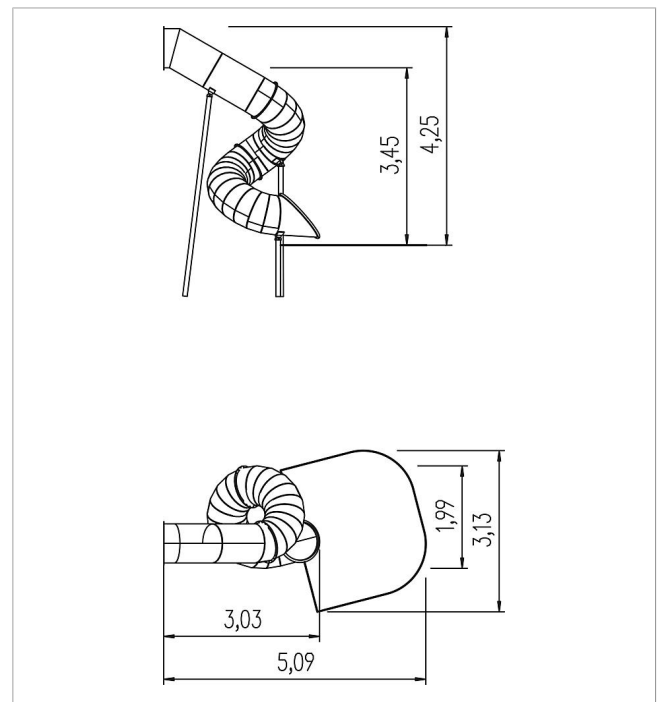
**Basis Tubular add-on
slide spiral, ph 345 cm,
270 deg left, stainless**

made in germany
steel



Scope of delivery

1x spiral add-on slide ph 345 cm: stainless steel



	Material	Stainless steel
	Foundation level	FL 3
	Minimum space	509x313x525 cm
	Free falling height	18 cm
	Impact protection net	8,0 m ²
	Foundations	3x CF